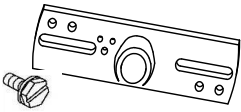
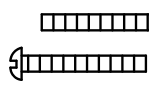
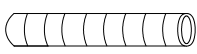
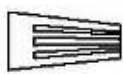
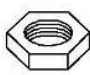

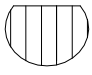

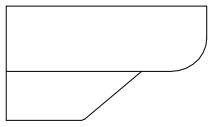


Fixture Name: Multi-Family 7203

This fixture assembled PO: \_\_\_\_\_ Date: \_\_\_\_\_

**Notice:** Please review the parts listing and check for all parts before assembling the fixture. If any parts are missing or damaged, please note on this sheet and contact the place of purchase to arrange for replacement parts.

**PARTS LIST** Company Name: \_\_\_\_\_ Co. Account #: \_\_\_\_\_  
to be filled out by retailer

Mounting strap w/ ground screw  1ea 3/4" x 4"	Junction box screws  2ea #8-32N*18mm	Threaded rod  2ea 3/8"*H45mm
Mounting strap w/ ground screw  1ea 3/4" x 4"	Mounting strap w/ ground screw  1ea 3/4" x 4"	Deco nut (round nut)  1ea 3/8"*H9mm
Finial  1ea 13*H9	Spring washer  1ea 15*H3mm	Bottom cap  1ea 38*H28mm

Part Needed				Quantity
Part Needed				Quantity
Reason why	( missing, scratched, broken glass, bent, bad finish)			
Comments				

**FIXTURE ASSEMBLY INSTRUCTIONS**  
**Read and review installation instruction sheet before assembling the fixture.**

1. Attach the finial (N) to Threaded rod (L) and slide through Bottom Cap (K)
2. Place the Glass Shade (M) flush with the Back plate (J) just under the "L" shaped lip.
3. Slide Bottom cap assembly (K+L+N) into hole at the bottom of Glass shade (M), with the threaded rod going through the hole in bottom of fixture back plate and tighten with Hex nut (O).

\*If the glass does not sit flush with the wall remove the glass, gently press the lip up bit to increase glass tension and reinstall the glass.

4. Install the light bulb in accordance with the fixture's specifications.

(DO NOT EXCEED THE MAXIMUM WATTAGE RATING!) □

7203 RBZ

